

User Guide

INSIGNIA™

CD+G Portable Karaoke System

NS-KP01

Insignia NS-KP01

CD+G Portable Karaoke System

Contents

Introduction	3
Important safety instructions	3
Features	6
Package contents	6
Front	7
Back	9
Setting up your karaoke system	10
Installing batteries	10
Connecting the power	11
Connecting the video to a TV or home theater system	12
Connecting the audio to a TV or sound system	13
Connecting the audio from an external device	13
Using your karaoke system	14
Playable discs	14
Turning your karaoke system on or off	14
Loading a CD	14
Adjusting the volume	14
Controlling CD playback	15
Repeating the current track or the CD	15
Programming a playlist	16
Adjusting the echo effect	16
Adjusting the balance	16
Turning Auto Voice Control on or off	16
Troubleshooting	17
Maintaining	18
Storing CDs	18
Handling CDs	18
Cleaning CDs	18
Specifications	19
Glossary of karaoke terms	19
Legal notices	20
One-year limited warranty	21

Introduction

Congratulations on your purchase of a high-quality Insignia product. Your NS-KP01 represents the state of the art in portable karaoke system design and is designed for reliable and trouble-free performance.

Important safety instructions



CAUTION
RISK OF ELECTRIC SHOCK
DO NOT OPEN



The lightning flash with arrowhead symbol within an equilateral triangle is intended to alert you to the presence of uninsulated dangerous voltage within your player's enclosure that may be of sufficient magnitude to constitute a risk of electric shock to persons.



The exclamation point within an equilateral triangle is intended to alert you to the presence of important operating and maintenance (servicing) instructions in the literature that came with your player.



This symbol is the symbol for CLASS II (Double Insulation).

Caution

This compact disc player is classified as a CLASS 1 LASER PRODUCT. The CLASS 1 LASER PRODUCT label is located on the back panel.

**Caution**

- Your player employs a laser system.
- Use of controls, adjustments, or the performance of procedures other than those specified may result in hazardous radiation exposure.
- Visible laser radiation is present when open and interlocks defeated. Do not stare into the beam.

- 1** Read these instructions.
- 2** Keep these instructions.
- 3** Heed all warnings.
- 4** Follow all instructions.
- 5** Do not use this apparatus near water.
- 6** Clean only with a dry cloth.
- 7** Do not block any ventilation openings. Install in accordance with the manufacturer's instructions.
- 8** Do not install near any heat sources such as radiators, heat registers, stoves, or other apparatus (including amplifiers) that produce heat.
- 9** Do not defeat the safety purpose of the polarized or grounding-type plug. A polarized plug has two blades with one wider than the other. A grounding type plug has two blades and a third grounding prong. The wide blade or the third prong are provided for your safety. If the provided plug does not fit into your outlet, consult an electrician for replacement of the obsolete outlet.
- 10** Protect the power cord from being walked on or pinched particularly at plugs, convenience receptacles, and the point where they exit from the apparatus.
- 11** Only use attachments/accessories specified by the manufacturer.
- 12** Use only with the cart, stand, tripod, bracket, or table specified by the manufacturer, or sold with the apparatus. When a cart is used, use caution when moving the cart/apparatus combination to avoid injury from tip-over.
- 13** Unplug this apparatus during lightning storms or when unused for long periods of time.



- 14** Refer all servicing to qualified service personnel. Servicing is required when the apparatus has been damaged in any way, such as power-supply cord or plug is damaged, liquid has been spilled or objects have fallen into the apparatus, the apparatus has been exposed to rain or moisture, does not operate normally, or has been dropped.
- 15** To reduce the risk of fire or electric shock, do not expose this device to rain, moisture, dripping, or splashing, and no objects filled with liquids, such as vases, shall be placed on it.
- 16** The wall plug is the disconnecting device. The plug must remain readily operable.
- 17** Batteries should not be exposed to excessive heat such as sunshine, fire, or the like.

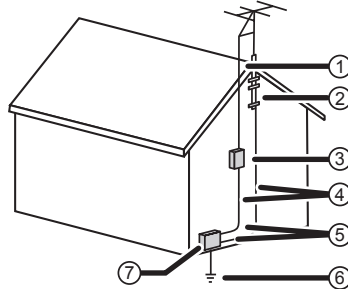
Caution

Danger of explosion if battery is incorrectly replaced. Replace only with the same or equivalent type.

- 18** This appliance is not intended for use by persons (including children) with reduced physical, sensory, or mental capabilities, or lack of experience or knowledge, unless they have been given supervision and instruction concerning use of the appliance by the person responsible for their safety.
- 19** Children should be supervised to ensure that they do not play with the appliance.
- 20** Ensure that children and babies do not play with plastic bags or any packaging material.

Outdoor antenna grounding

If an outside antenna or cable system is connected to your TV, make sure that the antenna or cable system is grounded to provide some protection against voltage surges and built-up static charges. Article 810 of the National Electrical Code, ANSI/NFPA No. 70, provides information with respect to correct grounding of the mast and supporting structure, grounding of the lead-in wire to an antenna discharge unit, size of grounding conductors, location of the antenna-discharge unit, connection to grounding electrodes, and requirements for the grounding electrode.



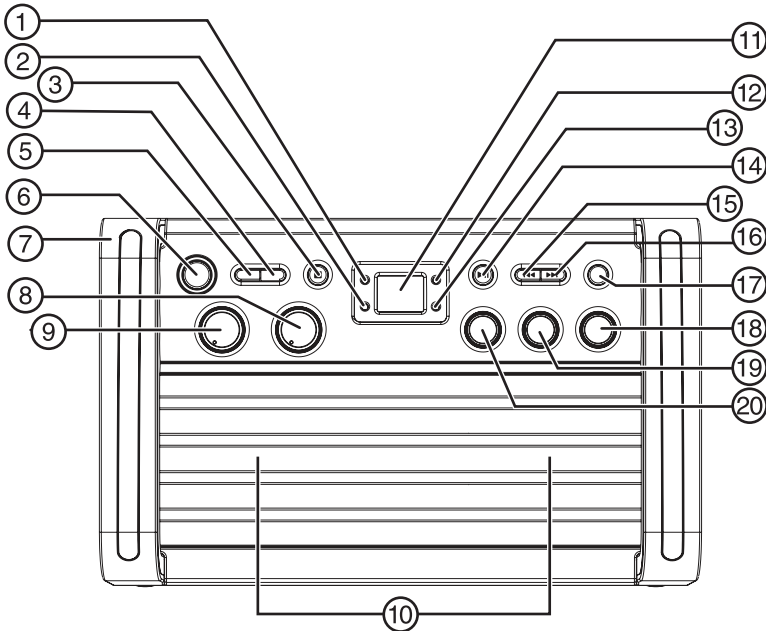
- ① Antenna lead-in wire
- ② Grounding clamp
- ③ Antenna discharge unit
- ④ Grounding conductors
- ⑤ Ground clamps
- ⑥ Power service grounding electrode system
- ⑦ Electric service equipment

Features

Package contents

- CD+G portable karaoke system
- Microphone
- Power cord
- A/V cable (RCA type)
- *User Guide*
- *Quick Setup Guide*

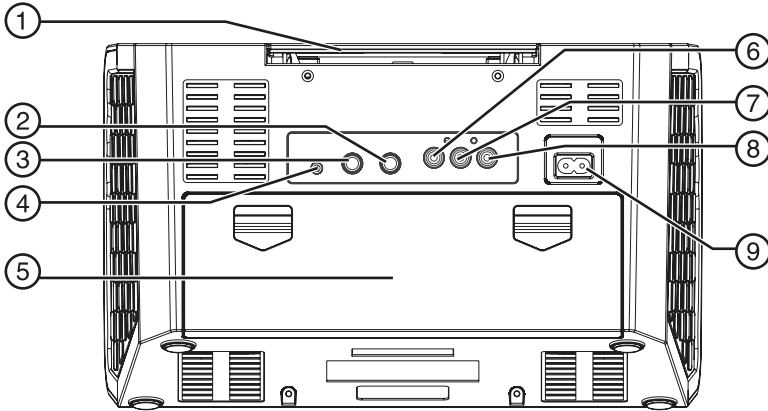
Front



#	Item	Description
1	Play/Pause LED	<ul style="list-style-type: none"> Lights when a CD is playing. Flashes when playback is paused.
2	CD+G LED	Lights when a CD+G is loaded.
3	■ (stop button)	Press to stop CD playback.
4	REPEAT button	<ul style="list-style-type: none"> Press once to repeat the current CD track. Press twice to repeat all the CD tracks. Press a third time to cancel repeat play.
5	PROGRAM button	Press to program a playback list. For more information, see "Programming a playlist" on page 16.
6	ON/OFF button	Press to turn your karaoke system on or off.
7	Handle	Use to carry your karaoke system.
8	Master volume control	Turn to adjust the overall volume.
9	Microphone volume control	Turn to adjust the microphone volume.
10	Speaker	Projects the audio from the CD and microphone.

#	Item	Description
11	LED window	<ul style="list-style-type: none"> When a CD is loaded but not playing, displays the number of tracks. When a CD is playing, displays the number of the currently playing tracks. When no CD is loaded, displays “— —”
12	Program LED	Flashes when your karaoke system is in program mode. For more information, see “Programming a playlist” on page 16.
13	Repeat LED	<ul style="list-style-type: none"> Flashes when your karaoke system is repeating the track currently playing. Lights solid when your karaoke system is repeating all the tracks. <p>For more information, see “Repeating the current track or the CD” on page 15.</p>
14	▶ (play/pause) button	<ul style="list-style-type: none"> Press to start playback. When a CD is playing, press to pause playback. Press again to resume playback.
15	◀◀ (skip back) button	<ul style="list-style-type: none"> When playing a CD, press and hold to search backward on the CD. When you release this button, playback resumes. (CDs only) In stop mode, press to go the previous track on a CD or CD+G.
16	▶▶ (skip forward) button	<ul style="list-style-type: none"> When playing a CD, press and hold to search forward on the CD. When you release this button, playback will resume. In stop mode, press to go the next track on a CD or CD+G.
17	Bass Boost button	Press to turn the bass boost feature on or off.
18	Auto Voice Control	Turn to adjust the auto voice control. When auto voice control is on, the vocals on the multiplex CD stop playing when you start singing through the microphone. When you stop singing, the vocals start playing again.
19	Balance control	Turn to adjust the balance between the prerecorded singer’s voice and the music.
20	Echo control	Turn to adjust the echo effect. The echo effect enhances your voice for a concert hall effect.

Back



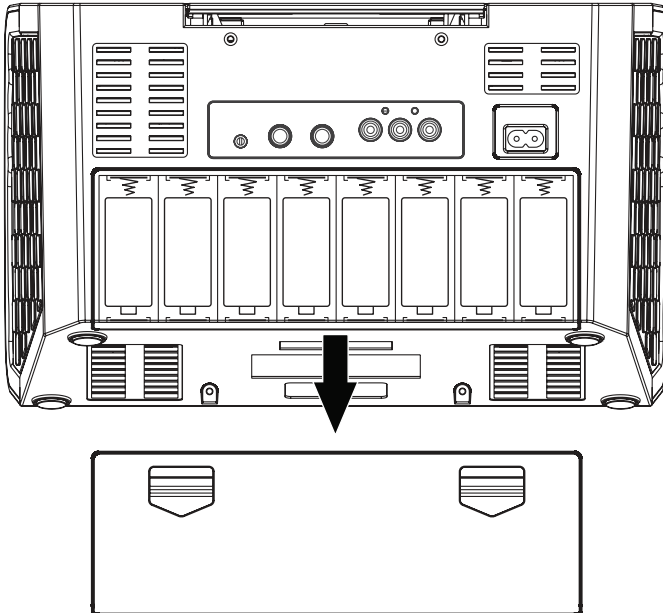
#	Item	Description
1	CD door	Lift the CD door to access the CD compartment.
2	MIC 2 jack	Connect a second microphone (not included) to the jack.
3	MIC 1 jack	Connect the supplied microphone to this jack.
4	LINE IN jack	Connect an audio cable (not included) to this jack and to the audio output jack on an external device. This lets you broadcast the sound from the external device through your karaoke system's speaker.
5	Battery compartment cover	Remove this cover to access the battery compartment. For more information, see "Installing batteries" on page 10.
6	VIDEO OUT jack	Connect the yellow connector on the included A/V cable to this jack and to the video input jack on a TV, VCR, or DVD player. For more information, see "Connecting the video to a TV or home theater system" on page 12.
7	AUX OUT right jack	Connect the white connector on the included A/V cable to this jack and to the right audio input jack on a TV, VCR, or DVD player. For more information, see "Connecting the audio to a TV or sound system" on page 13.
8	AUX OUT left jack	Connect the red connector on the included A/V cable to this jack and to the left audio input jack on a TV, VCR, or DVD player. For more information, see "Connecting the audio to a TV or sound system" on page 13.
9	AC IN jack	Connect the power cord to this jack and to a power outlet.

Setting up your karaoke system

Installing batteries

To install batteries:

- 1 Press down on the arrows on the battery compartment cover, then slide the cover to remove it.



- 2 Insert eight C-size batteries into the battery compartment. Make sure that the + and – symbols on the batteries match the + and – symbols in the battery compartment.

3 Replace the battery compartment cover.

Cautions

- Use only the size and type of batteries specified.
- Make sure that you match the + and – symbols on the batteries with the + and – symbols in the battery compartment. If you insert the batteries incorrectly, you can damage your karaoke system.
- Do not mix different types of batteries (for example, alkaline and carbon zinc) or old and new batteries.
- If you plan to store your karaoke system for an extended period of time, remove the batteries to prevent damage or injury from battery leakage.
- Do not try to recharge batteries that are not rechargeable. They may overheat and rupture.
- When your karaoke system is connected to AC power, it does not recharge rechargeable batteries. You need to remove rechargeable batteries and recharge them using a battery recharger.
- Do not expose batteries to excessive heat, such as sunshine or fire.
- Remove exhausted batteries. They may leak and cause damage or injury.
- Do not short-circuit the battery terminals inside the battery compartment.

Connecting the power

To connect the power:

- Plug the power cord into the **AC IN** jack on the back of your karaoke system and into a power outlet.

Caution

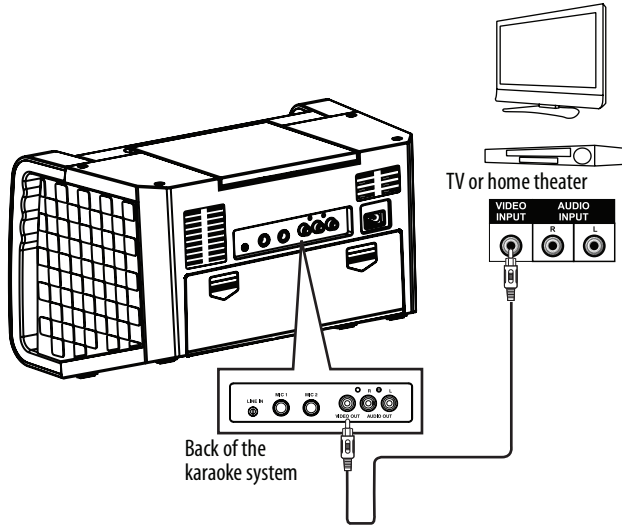
The power cord has a polarized plug with one blade wider than the other. It will only plug into the power outlet one way. If the plug does not fit, turn it over and try again. This is a safety feature.

Connecting the video to a TV or home theater system

You can connect your karaoke system to a TV to view the video on CD+Gs.

To connect the video to a TV or home theater system:

- Connect the yellow connector on the included A/V cable to the **VIDEO OUT** jack on the back of your karaoke system, then connect the other yellow connector on the cable to the video input jack on the TV or home theater system.



Selecting your karaoke system as the video input source

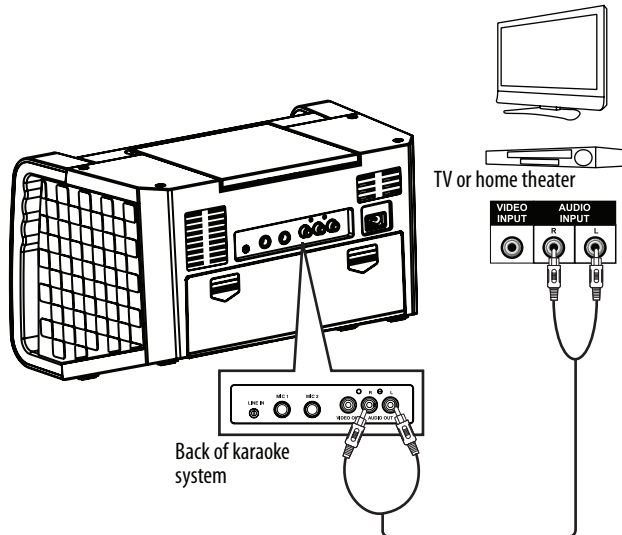
After you connect your karaoke system to a TV or home theater system, you need to select your karaoke system as the video input source for the TV or home theater system. Usually, you select the video input source by pressing a button on the TV or home theater remote control or by selecting the video input source from an on-screen menu. See the documentation that came with the TV or home theater system for instructions on selecting the video input source.

Connecting the audio to a TV or sound system

You can connect your karaoke system to a TV or home theater system to play the CD audio through the TV or home theater system speakers.

To connect the audio to a TV or home theater system:

- Connect the left (white) and right (red) audio connectors on the included A/V cable to the left **AUX OUT** left and **AUX OUT** right jacks on the back of your karaoke system and the audio input jacks on the TV or home theater system.



Connecting the audio from an external device

You can connect the audio from an external device to your karaoke system. This connection plays the audio from the external device through your karaoke's built-in speaker.



To connect the audio from an external device:

- Connect an 3.5 mm audio cable (not included) to the **LINE IN** jack on the back of your karaoke system and to the **LINE OUT** jack on the external device.

Using your karaoke system

Playable discs

Your karaoke system will play the following type of discs:

Type	Disc logo
CD+G	
CD audio	
CD-R and CD-RW	

Turning your karaoke system on or off

To turn your karaoke system on or off:

- Press the **ON/OFF** button. The On/Off LED lights when your karaoke system turns on.
- Press the **ON/OFF** button again. Your karaoke system turns off.

Loading a CD

To load a CD:

- 1 Lift the CD door to open the CD tray.
- 2 Place a CD or CD+G in the tray with the label facing up.
- 3 Gently press on the door to close the tray. The LED window displays the number of tracks on the CD

Notes

- If no CD is in the tray, the LED window displays "--".
- If a CD+G is in the tray, the CD+G LED lights.

Adjusting the volume

To adjust the volume:

- Turn the Master volume control to adjust the overall volume of the microphone and speaker.
- Turn the Microphone volume control to adjust the microphone volume.

Notes

If your karaoke system is connected to a TV or home theater, adjust the volume with the TV or home theater controls.

Controlling CD playback

To control CD playback:

- Press ►|| (play/pause) to start playback. "1" appears in the LED window and the Play/Pause LED lights.
- When a CD is playing, press ►|| (play/pause) to pause playback. The Play/Pause LED flashes. Press this button again to resume normal playback.
- Press ■ (stop) to stop playback. The total number of tracks appears in the LED window.
- When playing a CD, press and hold ◀◀ to fast reverse or ▶▶ to fast forward. When you release this button, playback resumes. (CDs only)
- In stop mode, press ◀◀ to go to the previous track or ▶▶ to go to the the next track. (CDs and CD+Gs).

Repeating the current track or the CD

To repeat the current track or the CD:

- Press **REPEAT** once to repeat the track currently playing.
- Press **REPEAT** twice to repeat the entire CD.
- Press **REPEAT** a third time to resume normal playback.

Programming a playlist

To program a playlist:

- 1 Make sure that your karaoke system is in stop mode.
- 2 Press **PROGRAM** until the Program LED flashes and [P] appears in the LED window.
- 3 Press ◀◀ or ▶▶ to select the first track you want to add to the playlist, then press **PROGRAM** to confirm. Repeat this step to add up to 20 tracks to the playlist.
- 4 Press ▶|| (play/pause) to start playback.
- 5 Press ■ (stop) to stop playback and clear the playlist.

Adjusting the echo effect

You can adjust the echo effect to enhance your voice for a concert hall effect. For more information, see “Echo” on page 19.

To adjust the echo effect:

- Turn the **ECHO** control.

Adjusting the balance

You can adjust the balance between the pre-recorded singer’s voice and the music when using a multiplex karaoke disc. For more information, see “Multiplex” on page 19.

To adjust the balance:

- Turn the **BALANCE** control.

Turning Auto Voice Control on or off

When Auto Voice Control is on, the vocals on the multiplex CD stop playing when you start singing through the microphone. When you stop singing, the vocals start playing again. For more information, see “Auto Voice Control (AVC)” on page 19

To turn Auto Voice Control on or off:

- Turn the **Auto Voice Control** control.

Troubleshooting

Problem	Solution
There is no power when the ON/OFF button is pressed	<ul style="list-style-type: none"> • If you are using the power cord, make sure that it is plugged into the AC IN jack on your karaoke system and into a power outlet. • If you are using the power cord, make sure that the power outlet is working. Try testing the outlet with another device, such as a lamp. • If you are using batteries, make sure that the batteries are not depleted. Try changing the batteries.
No sound	<ul style="list-style-type: none"> • Adjust the master and microphone volume. See “Adjusting the volume” on page 14. • If you have connected your karaoke system to a TV or sound system, make sure that the TV or sound system is turned on and the volume is turned up. • If you have connected your karaoke system to a TV or sound system, make sure that the audio is connected correctly. See “Connecting the audio to a TV or sound system” on page 13.
No sound from the microphone	<ul style="list-style-type: none"> • Adjust the microphone volume. See “Adjusting the volume” on page 14. • Make sure that the microphone is turned on. There is an on/off switch on the microphone.
The CD does not play correctly, or -- , E , or no appears in the LED window	<ul style="list-style-type: none"> • Make sure that the CD is inserted correctly. See “Loading a CD” on page 14. • Clean the disc. See “Cleaning CDs” on page 18. • Try a different CD. The CD may be scratched or warped. • Make sure that the CD is compatible with your karaoke system. See “Playable discs” on page 14. • Clean the lens with a lens cleaner. • Reset your karaoke system by disconnecting it from the power source.
No sound lyrics appear on the TV or home theater screen	<ul style="list-style-type: none"> • Make sure that a CD+G is loaded in your karaoke system. If a CD+G is loaded but the CD+G LED is not lit, try cleaning the CD+G. See “Cleaning CDs” on page 18. • Make sure that the TV or home theater is turned on. • Make sure that you have selected your karaoke system as the video input source. See “Selecting your karaoke system as the video input source” on page 12. • Make sure that you have connected the TV or home theater correctly. See “Connecting the video to a TV or home theater system” on page 12.

Maintaining

Storing CDs

- Do not store CDs in a place that is exposed to direct sunlight or heat.
- Do not store CDs in a place that is exposed to moisture and dust, such as a bathroom or near a humidifier.
- Store CDs vertically in their cases. Stacking CDs or placing objects on CDs when not in their cases may cause warping.

Handling CDs

- To keep a CD clean, do not touch the play side (non-label side) of the CD.
- Do not attach paper or tape to the CD.



Cleaning CDs

- Before playback, wipe the CD outwards from the center (not in a circle) with a clean cloth.



Specifications

Specifications are subject to change without notice. Measurements and weights may vary slightly.

Audio	Output (maximum): 1W + 1W (RMS) Impedance: 8 Ohms
CD player	Frequency response: 100Hz to 20 kHz Signal-to-noise ratio: 50dB Number of programs: 20 steps random access programming Sampling system: 8 times over
Microphone	-72dB 600 Ohms impedance with 6.3 dynamic microphone
AC power	120V ~ 60Hz
Dimensions (H × W × D)	12.4 × 7.6 × 8.3 inches (31.4 × 19.2 × 21 cm)
Weight	4.33 lbs (2 kg)

Glossary of karaoke terms

Echo

Adds depth and resonance to a singer's voice without affecting the music. The echo effect is produced by creating minor controlled feed-back in the singer's voice.

Multiplex

A multiplex CD has two versions of a song. One version is a stereo recording without the lead singer. The other version is recorded with music and background vocals on the left channel and the lead singer recorded on the right channel. The "split-track" recording lets you control the volume of the lead singer by adjusting the **BALANCE** control. You can sing a duet with the lead singer or use the lead singer as a guide while you learn the song, gradually fading out the lead singer voice until you can sing the song alone.

Auto Voice Control (AVC)

When AVC is activated, the vocals on a multiplex CD stop playing when a singer begins singing through the microphone. When the singer stops singing, the vocals on the CD start playing again. This feature only works with multiplex CDs.

CD+G

Stands for “Compact Disc plus Graphics.” A CD+G has a video track that displays the song lyrics in sync with the music. The lyrics usually change color as when they are to be sung. All you need is a regular TV to display these lyrics.

Legal notices

FCC Part 15

This device complies with Part 15 of the FCC Rules. Operation of this product is subject to the following two conditions: (1) this device may not cause harmful interference, and (2) this device must accept any interference received, including interference that may cause undesired operation.

Note: These limits are designed to provide reasonable protection against harmful interference in a residential installation. This equipment generates, uses, and can radiate radio frequency energy and, if not installed and used in accordance with the instructions, may cause harmful interference to radio communications. However, there is no guarantee that interference will not occur in a particular installation. If this equipment does cause harmful interference to radio or television reception, which can be determined by turning the equipment off and on, the user is encouraged to try to correct the interference by one or more of the following measures:

- Reorient or relocate the receiving antenna.
- Increase the separation between the equipment and receiver.
- Connect the equipment into an outlet on a circuit different from that to which the receiver is connected.
- Consult the dealer or an experienced radio/TV technician for help.

FCC warning

Changes or modifications not expressly approved by the party responsible for compliance with the FCC Rules could void the user’s authority to operate this equipment.

FCC important

Since CD circuitry may cause interference to other radio tuners nearby, switch this unit off when not in use or move it away from the affected radio tuner.

DHHS and FDA safety certification

This product is made and tested to meet safety standards of the FCC, requirements and compliance with safety performance of the U.S. Department of Health and Human Services, and also with FDA Radiation Performance Standards 21 CFR Subchapter J.

Canada ICES-003 statement

This Class B digital apparatus complies with Canadian ICES-003.

One-year limited warranty

Insignia Products (“Insignia”) warrants to you, the original purchaser of this new product (“Product”), that the Product shall be free of defects in the original manufacture of the material or workmanship for a period of one (1) year from the date of your purchase of the Product (“Warranty Period”). This Product must be purchased from an authorized dealer of Insignia brand products and packaged with this warranty statement. This warranty does not cover refurbished Product. If you notify Insignia during the Warranty Period of a defect covered by this warranty that requires service, terms of this warranty apply.

How long does the coverage last?

The Warranty Period lasts for 1 year (365 days) from the date you purchased the Product. The purchase date is printed on the receipt you received with the Product.

What does this warranty cover?

During the Warranty Period, if the original manufacture of the material or workmanship of the Product is determined to be defective by an authorized Insignia repair center or store personnel, Insignia will (at its sole option): (1) repair the Product with new or rebuilt parts; or (2) replace the Product at no charge with new or rebuilt comparable products or parts. Products and parts replaced under this warranty become the property of Insignia and are not returned to you. If service of Products or parts are required after the Warranty Period expires, you must pay all labor and parts charges. This warranty lasts as long as you own your Insignia Product during the Warranty Period. Warranty coverage terminates if you sell or otherwise transfer the Product.

How to obtain warranty service?

If you purchased the Product at a retail store location, take your original receipt and the Product to the store you purchased it from. Make sure that you place the Product in its original packaging or packaging that provides the same amount of protection as the original packaging. If you purchased the Product from an online web site, mail your original receipt and the Product to the address listed on the web site. Make sure that you put the Product in its original packaging or packaging that provides the same amount of protection as the original packaging.

To obtain in-home warranty service for a television with a screen 30 inches or larger, call 1-888-BESTBUY. Call agents will diagnose and correct the issue over the phone or will have an Insignia-approved repair person dispatched to your home. Should the Insignia-approved repair person not correct the issue on the first call, an Insignia television (size and features to be determined by Insignia) will be loaned to you until your TV is repaired and returned, at no charge to you. This feature is only available to Insignia television consumers residing in the United States.

Where is the warranty valid?

This warranty is valid only to the original purchaser of the product in the United States, Canada, and Mexico.

What does the warranty not cover?

This warranty does not cover:

- Customer instruction
- Installation
- Set up adjustments
- Cosmetic damage
- Damage due to acts of God, such as lightning strikes
- Accident
- Misuse

- Abuse
- Negligence
- Commercial use
- Modification of any part of the Product, including the antenna
- Plasma display panel damaged by static (non-moving) images applied for lengthy periods (burn-in).

This warranty also does not cover:

- Damage due to incorrect operation or maintenance
- Connection to an incorrect voltage supply
- Attempted repair by anyone other than a facility authorized by Insignia to service the Product
- Products sold as is or with all faults
- Consumables, such as fuses or batteries
- Products where the factory applied serial number has been altered or removed

REPAIR REPLACEMENT AS PROVIDED UNDER THIS WARRANTY IS YOUR EXCLUSIVE REMEDY. INSIGNIA SHALL NOT BE LIABLE FOR ANY INCIDENTAL OR CONSEQUENTIAL DAMAGES FOR THE BREACH OF ANY EXPRESS OR IMPLIED WARRANTY ON THIS PRODUCT, INCLUDING, BUT NOT LIMITED TO, LOST DATA, LOSS OF USE OF YOUR PRODUCT, LOST BUSINESS OR LOST PROFITS. INSIGNIA PRODUCTS MAKES NO OTHER EXPRESS WARRANTIES WITH RESPECT TO THE PRODUCT, ALL EXPRESS AND IMPLIED WARRANTIES FOR THE PRODUCT, INCLUDING, BUT NOT LIMITED TO, ANY IMPLIED WARRANTIES OF AND CONDITIONS OF MERCHANTABILITY AND FITNESS FOR A PARTICULAR PURPOSE, ARE LIMITED IN DURATION TO THE WARRANTY PERIOD SET FORTH ABOVE AND NO WARRANTIES, WHETHER EXPRESS OR IMPLIED, WILL APPLY AFTER THE WARRANTY PERIOD. SOME STATES, PROVINCES AND JURISDICTIONS DO NOT ALLOW LIMITATIONS ON HOW LONG AN IMPLIED WARRANTY LASTS, SO THE ABOVE LIMITATION MAY NOT APPLY TO YOU. THIS WARRANTY GIVES YOU SPECIFIC LEGAL RIGHTS, AND YOU MAY ALSO HAVE OTHER RIGHTS, WHICH VARY FROM STATE TO STATE OR PROVINCE TO PROVINCE.

Contact Insignia:

For customer service please call 1-877-467-4289

www.insignia-products.com

Distributed by Best Buy Purchasing, LLC

7601 Penn Avenue South, Richfield, Minnesota, U.S.A. 55423-3645

© 2010 BBY Solutions, Inc.

All rights reserved. INSIGNIA is a trademark of BBY Solutions, Inc. Registered in some countries. All other products and brand names are trademarks of their respective owners.



www.insigniaproducts.com (877) 467-4289

Distributed by Best Buy Purchasing, LLC
7601 Penn Avenue South, Richfield, MN USA 55423-3645

© 2010 BBY Solutions, Inc.

All rights reserved. INSIGNIA is a trademark of BBY Solutions, Inc.

Registered in some countries.

All other products and brand names are trademarks of their respective owners.

ENGLISH
10-0603